

LFX-XL SERIES Outdoor Lighting

LFX-XL-200-300W- MCTP-480V-SC
ADJUSTABLE FLOOD/AREA LIGHT, PHOTOCELL READY

MCTP Multi Color Temperature & Multi Power/Wattage (Selectable)



Ideal for general site lighting, alleys, loading docks, doorway, pathway, and parking areas.

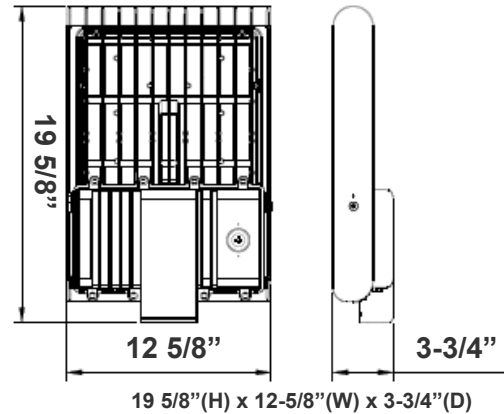
WESTGATE
THE FUTURE IS HERE...AND IT'S QUITE BRIGHT!

Customer Name: _____

Project Name: _____

Note: _____

Type: _____



Features

- DLC Premium & LED High-Lumen Flood lights
- Solid State Lighting Technology for Long Life
- No Maintenance Needed and High-Efficiency
- 70,000 Hours Rated Life
- 7-Year Warranty
- Optic Lens Type: III
- Multi-Power - The Switch is on the bottom of the Fixture

Technical Specifications

Electrical:

- Voltage: 480V AC/50~60 Hz
- Wattage: 200W/240W/300W
- Power Factor: >0.9
- Efficacy: 145 LPW

Mechanical:

- With Snap-on & Bolt Mounting Options for One- Person Installations. Select a Mounting Option (Sold Separately)
- NEMA Twist-Lock Shorting Cap Included. Photocell Sold Separately.
- Die-cast Aluminum Housing with Powder Coat Finish (Dark Bronze)
- IP Rating: IP65
- 10KV Lightning Surge Protection
- Effective Projected Areas (EPA's) are: Front = 0.38 ft², Side = 0.30 ft², Face = 1.05 ft²
- Operating Temperature: -40°F to 104°F
- Suitable for Wet Locations

Lighting:

- Dimming: 0~10V dimmable
- Optic Lens Type: III
- Cord Type: 6' SJTW 18/3 AWG cable
- Total Lumens: 43500LM Max.
- Color Temperature: 3000K/ 4000K/ 5000K
- Color Rendering Index: ≥ 82
- Beam Angle: 90° X 120°

Applications:

- Ideal for general site lighting, alleys, loading docks, doorway, pathway and parking areas.
- Replace existing HID flood lights/ wall packs

Other Models:

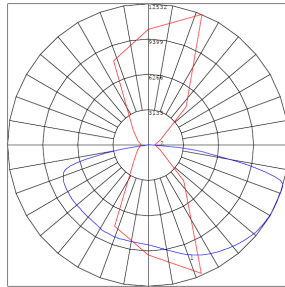
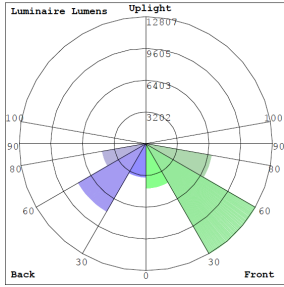
- 150W | 21750LM | LFX-LG-80-150W-MCTP- 480V-SC



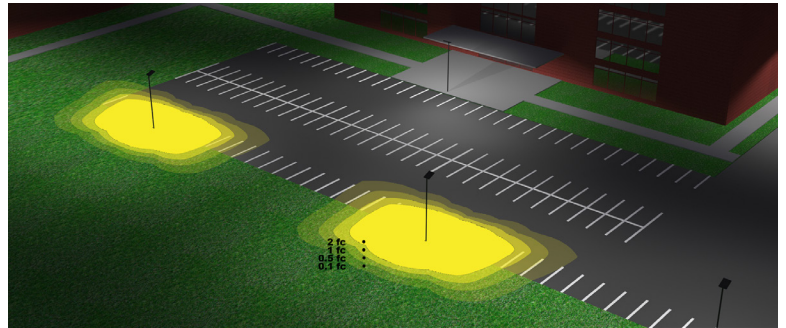
Phone: (877) 805-2252 | Fax: (877) 805-2252
www.westgatemfg.com



Photometrics: LFX-XL-200-300W- MCTP-480V-SC



BUG Rating: B4-U0-G4



Area 60'x 115' Mounting Height: 20'

Other Views:



Side View



Front View



Back View

Performance Table: LFX-XL-200-300W- MCTP-480V-SC

MODEL NO.	Wattage	Voltage	Lumens	Color Temp.	BUG Rating	LPW
LFX-XL-200-300W- MCTP-480V-SC	200W	480V	29000LM	3000K	B4-U0-G4	145
	240W		34800LM	4000K		
	300W		43500LM	5000K		

Sample Ordering

Model Size Min.Wattage Max.Wattage Color Temp. Volt Shorting Cap

LFX - XL - 200 - 300W - MCTP - 480V - SC

Accessory:

Blank = No Factory Installed Options
 PC-TWIST-480V = Twist-Lock Photocell

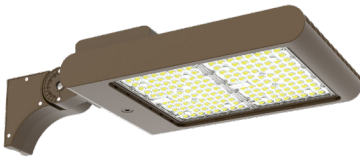
ACCESSORY:



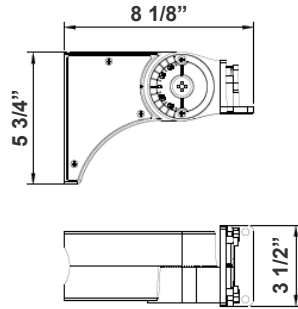
PC-TWIST-480V
 Twist-Lock
 Photocell + Receptacle Kit



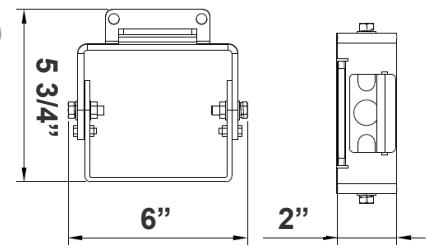
Mounting Options:



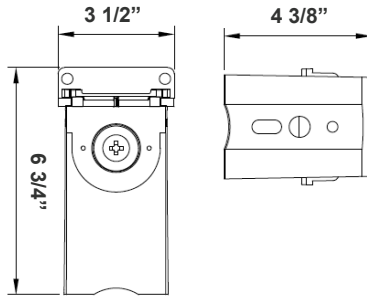
LFX-ASA
Adjustable Straight Arm
3 1/3" x 7 7/8"



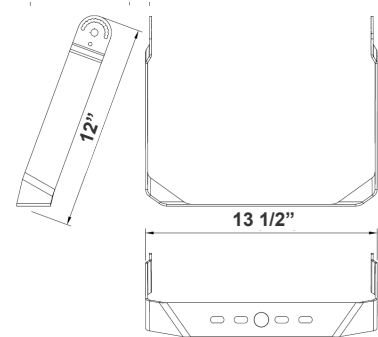
LFX-YK
Yoke
5 3/4" x 6" x 2"



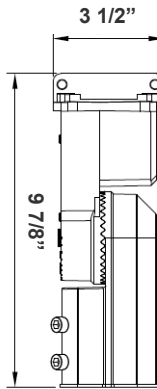
LFX-EXT
Straight Arm
3 1/3" x 6 3/4" x 4 3/8"



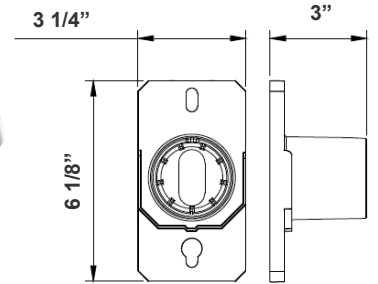
LFX-TR-B
U Bracket
13 1/2" x 12"



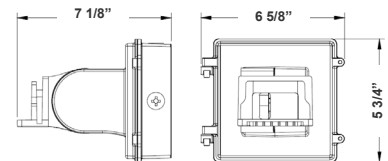
LFX-SF
Slip Fitter
3 1/3" x 7 7/8"
For 2-3/8" OD Pole/Pipe



LFX-SF + LFX-PASF
Pole Adapter for Slip Fitter
6 1/8" x 3 1/4" x 3"



LFX-AWB
Adjustable Wall Junction Box
7 1/8" x 6 5/8" x 5 3/4"



Color Options: LFX-XL-200-300W- MCTP-480V-SC
 Custom Color Available

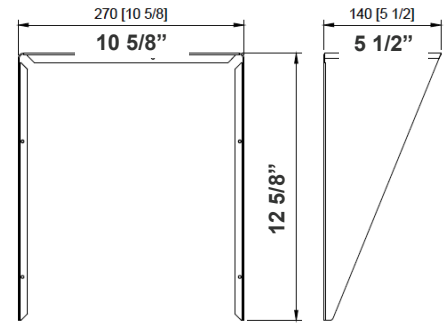
Black Silver White **Dark Bronze** Green Red Yellow
Default color



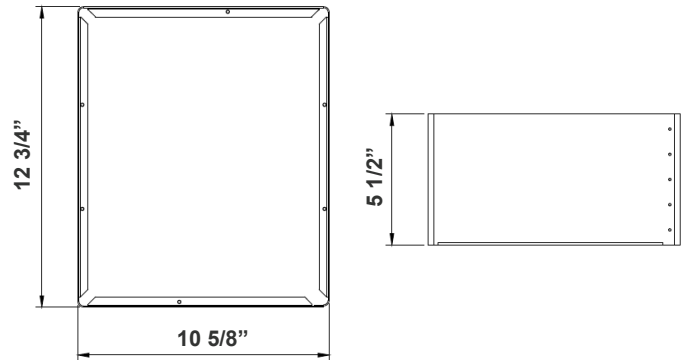
Shroud & Wire Guard: LFX-XL-200-300W- MCTP-480V-SC



LF-SHROUD-B
 Shroud
 12 5/8" x 10 5/8" x 5 1/2"



LF-SHROUD-E
 Full-Glare Shroud
 12 3/4" x 10 5/8" x 5 1/2"



LFX-WG-B
 Wire Guard

